

Patents, Designs, and Trade Marks

SUPPLEMENT

TO THE

NEW ZEALAND GAZETTE

OF

FRIDAY, JUNE 4, 1909.

Published by Authority.

WELLINGTON, FRIDAY, JUNE 4, 1909.

CONTENTS.

	Page
Complete Specifications and Drawings open to Inspection	1527
International and Intercolonial Arrangements for the Mutual Protection of Patents and Trade Marks ..	1528
Patent Publications in New Zealand	1528
Books and Documents open to Inspection at Patent Office, Wellington	1528
Books, Documents, &c., open to Inspection at Local Patent Offices, Auckland, Christchurch, and Dunedin ..	1529
Office for Registration of Copyright	1529
Official Publications	1529
Local Patent Offices	1529
Applications for Letters Patent filed	1529
Complete Specifications filed after Provisionals ..	1530
Complete Specifications accepted	1530
Provisional Specifications accepted	1533
Letters Patent sealed	1533
Letters Patent on which Fees have been paid	1533
Applications for Letters Patent abandoned	1534
Application for Letters Patent void	1534
Applications for Letters Patent lapsed	1534
Letters Patent void	1534
Applications for Trade Marks filed	1534
Applications for Registration of Trade Marks	1535
Trade Marks registered	1538
Trade Mark Renewal Fees paid	1538
Trade Marks removed from the Register	1538

Complete Specifications and Drawings open to Inspection at Auckland, Dunedin, and Christchurch.

COPIES of the complete specifications and drawings advertised in the *Gazette* will be sent for public inspection to the

LOCAL PATENT OFFICES

IN THE

SUPREME COURT BUILDINGS

in the following towns on or about the dates mentioned:—

Auckland.

Gazette No. 45, of the 4th June. 10th June to 24th June, inclusive.

Dunedin.

Gazette No. 45, of the 4th June. 30th June to 14th July, inclusive.

Gazette No. 41, of the 20th May. 15th June to 29th June, inclusive.

Gazette No. 38, of the 6th May. 1st June to 15th June, inclusive.

Christchurch.

Gazette No. 45, of the 4th June. 19th July to 2nd August, inclusive.

Gazette No. 41, of the 20th May. 3rd July to 17th July, inclusive.

Gazette No. 38, of the 6th May. 19th June to 3rd July, inclusive.

Gazette No. 34, of the 22nd April. 7th June to 21st June, inclusive.

[NOTE.—The office can take no responsibility if from any cause the specifications are not so available.]

International and Intercolonial Arrangements for the Mutual Protection of Patents and Trade Marks.

INTERNATIONAL CONVENTION.

THE following countries now belong to the Convention:—

Australia.	Italy.
Belgium.	Japan.
Brazil.	Mexico.
Ceylon.	New Zealand.
Cuba.	Norway.
Denmark and Faroe Islands.	Portugal, with the Azores and Madeira.
Dominican Republic.	Servia.
France, with Algeria and Colonies.	Spain.
Germany.	Sweden.
Great Britain.	Switzerland.
Holland, with East Indian Colonies, Curaçoa, and Surinam.*	Tunis.
	United States of America.

* Trade marks only.

Separate arrangements have been made between Australia and New Zealand.

Particulars of the Convention and of such arrangements may be seen in the following *Gazettes*:—

Notification of adhesion of New Zealand to the Convention, with text thereof (in English), in the *Gazette* of 26th November, 1891; notification of adherence of New Zealand to the Additional Act of the Convention, with text (in English), of such Additional Act, in Patents Supplement to *Gazette* No. 101, of the 16th November, 1905; Order in Council applying section 103 of the Imperial Act to New Zealand, in *Gazette* No. 27, of the 15th May, 1890; Orders in Council containing arrangements between Australia and New Zealand, in Patent Supplements to the *Gazette* Nos. 22 of the 9th March, 1905, and 38 of the 20th April, 1905.

Patent Publications in New Zealand.

THE following publications relating to Patents for inventions, &c., are open to inspection in the Dominion:—

WELLINGTON.—PATENT OFFICE LIBRARY.

United Kingdom.

The full text of the specifications and complete drawings of inventions patented from the year 1617 up to the 4th March, 1909.

Classified illustrated abridgments of inventions from 1855 to 1906 and part of 1907.

Illustrated Official Journal, containing lists of recent applications, abridgments of inventions for which patents have been lately granted, patents void, &c., to April, 1909.

Index of Applicants.

Subject-matter Index.

Commissioner of Patents Journal, &c. (a).

Trade Marks Journal to February, 1909.

Canada.

Patent Office Record (containing illustrated abridgments of inventions, &c.) to November, 1908.

Australia.

The full text of the specifications and complete drawings in respect of applications accepted from the 11th January, 1906, to the 4th August, 1908, inclusive.

The Official Journal of Patents of the Australian Commonwealth (containing lists of applications for letters patent, abridgments of complete specifications accepted, &c.).

The Australian Official Journal of Trade Marks (containing lists of applications for registration of trade marks, &c.).

Specifications, drawings, abridgments, and indexes of Victoria, New South Wales, Queensland, and South Australia (b).

United States.

The full text of the specifications and drawings for the years 1905 and 1906.

The Official Gazette of the United States Patent Office (containing illustrated abridgments of specifications, &c.) to April, 1909.

Mexico.

The Official Gazette of the Patent and Trade Mark Office.

(a) Discontinued.

(b) In arrears. Not now being printed.

General.

La Propriété Industrielle (the official organ of the International Bureau of the Union for the Protection of Industrial Property).

Patent laws of the world.

Patent and Trade Mark Review.

Text-books and handbooks on patents and trade marks.

AUCKLAND.—PUBLIC LIBRARY.

United Kingdom.

Classified abridgments of inventions from 1855 to 1904.
Illustrated Official Journal from 1897 to date.

Canada.

Patent Office Record (containing illustrated abridgments of inventions, &c.) from 1897 to date.

Australia.

The Official Journal of Patents from 1905 to date.

United States.

The Official Gazette of the United States Patent Office (containing illustrated abridgments of specifications, &c.) from 1885 to 1887 and 1890 to 1895.

CHRISTCHURCH.—PUBLIC LIBRARY.

United Kingdom.

Classified abridgments of inventions from 1855 to 1904.
Illustrated Official Journal from October, 1905, to date.

Canada.

Patent Office Record (containing illustrated abridgments of inventions, &c.) from 1897 to date.

Australia.

The Official Journal of Patents from 1905 to date.

DUNEDIN.—PUBLIC LIBRARY.

United Kingdom.

Classified abridgments of inventions from 1855 to 1904.
Illustrated Official Journal from October, 1905, to date.

Australia.

The Official Journal of Patents from 1905 to date.

Books and Documents open to Inspection at Patent Office, Wellington.

THE following documents and books are open to public inspection at the Patent Office:—

PATENTS.

(Fee for each search or inspection, not exceeding one hour, 1s.)

1. The files relating to all applications for letters patent in respect of which complete specifications have been accepted.
2. Classified copies of specifications and drawings, with index and key (a).
3. Register of Applications for Letters Patent.
4. Register of Patents.
5. Register of Subsequent Proprietors of Letters Patent (b).
6. Index of Patentees (c).
7. Index of Proprietors of Letters Patent granted prior to 1890 (d).
8. Index of Specifications (e).

DESIGNS.

(Search fee, 1s. each quarter of an hour.)

1. Register of Designs, with Index of Names of Proprietors.
2. Classified Representations of Designs in respect of which Copyright has expired.
3. Index of Designs.

(a) Key is in card index.

(b) This Register contains only names of subsequent proprietors of letters patent granted prior to 1st January, 1890; since that date they appear in Register of Patents.

(c) Includes all names of applicants, &c., and consists of four volumes to 4th November, 1903, and card index since that date. A separate card index is kept for current quarter.

(d) The names of proprietors of subsequent letters patent appear in the Index of Patentees.

(e) Contains classified abridgments of specifications from 1861, with extracts from drawings from July, 1904.

TRADE MARKS.

(Search fee, 1s. each quarter of an hour.)

1. The files relating to all applications for registration of trade marks.
2. Register of Applications for Registration of Trade Marks.
3. Register of Trade Marks.
4. Index of Applicants for Registration of Trade Marks^(a).
5. Index of Trade Marks.
6. Classified Representations of Trade Marks, with indexes.

MISCELLANEOUS.

Register of Patent Agents.

FORMS AND PUBLICATIONS.

The following forms, &c., may be had on application at the Patent Office, Wellington, or at any of the local Patent Offices named below:—

- Application for letters patent.
- Provisional specification.
- Complete specification and copy thereof.
- Application for registration of design.
- Application for registration of trade mark.
- Applications for extension of time.
- Requests by subsequent proprietor to enter name on Register of Patents and Trade Marks.
- Printed sheets of information as to fees and procedure to obtain letters patent and to register a trade mark^(b).
- Pamphlet containing Act and Regulations (price 1s.).

^(a) Names of applicants for registration and proprietors of trade marks are indexed at the beginning of the Registers up to 31st December, 1899; in separate volume up to 5th September, 1904; and since the latter date in card index.

^(b) May also be obtained at any local Patent Office or money-order office.

Books, Documents, &c., open to Inspection at Local Patent Offices, Auckland, Christchurch, and Dunedin.

BOOKS, documents, &c., open to inspection, and forms, &c., procurable, at the local Patent Offices at Auckland, Christchurch, and Dunedin.

BOOKS, ETC., OPEN TO INSPECTION.

Complete specifications and drawings of inventions. (Note.—One set of the specifications and drawings is sent, on acceptance, to Auckland, Christchurch, and Dunedin in succession, remaining fourteen days at each place, as advertised in the *Gazette*. Search fee, 1s. per hour.)

Classified abridgments of inventions from 1st January, 1908, to 31st March, 1909. (Search fee, 1s.)

Weekly lists of applications for patents up to and including those filed on Friday may be seen on the following Monday. (Search fee, 1s.)

- Name Index—Patents, 1861–1889. (Search fee, 1s.)
- Annual Reports, containing alphabetical lists of applicants and subject-matter indexes since 1890.
- Patents Supplement to the *New Zealand Gazette*.
- Patents, Designs, and Trade Marks Act and Rules.
- Acts and Rules of other countries.
- Australian Official Journal of Patents.

FORMS, ETC., OBTAINABLE.

The following forms, &c., may be obtained on application:—

- Applications for letters patent.
- Provisional specification.
- Complete specification, and copy thereof.
- Application for registration of design.
- Application for registration of trade mark.
- Applications for extension of time.
- Requests by subsequent proprietor to enter name on Register of Patents and Trade Marks.
- Printed sheets of information as to fees and procedure to obtain letters patent and to register designs and trade marks.
- Act and Regulations. (Price, 1s. 6d.)

NOTE.—The classified abridgments of the specifications and drawings of the United Kingdom may be seen in the Public Library of each of the above three principal towns. Other publications will be placed on file as soon as they are available.

Office for Registration of Copyright.

THE office for the registration of copyright in Fine Arts and Dramatic Works has been transferred to the Patent Office, Magistrate's Court Building, corner of Lambton Quay and Ballance Street, Wellington.

Official Publications.

THE following publications may be obtained from the Government Printer, Wellington:—

- Printed specifications to the end of the year 1879. (Some of these are now out of print.)
- Annual lists of letters patent and letters of registration applied for, and particulars of applications lapsed, and patents lapsed, from 1880 to 1893 inclusive. (The lists for the last four of these years are contained in the *Annual Reports of the Registrar*.)
- Annual reports of the Registrar, containing alphabetical indexes of applicants for letters patent and of subject-matter of inventions patented from 1894 to 1907 inclusive.
- The Patents Supplement to *Gazette* (containing notifications, applications for letters patent, abridged descriptions and drawings of inventions, &c.), published fortnightly.
- Name Index of Patents, &c., 1861–1890. (Price, 1s)

Local Patent Offices.

LOCAL Patent Offices for the reception of applications, supply of forms, &c., have been established at the following places:—

- Auckland—Supreme Court. (E. W. Cave, agent.)
- Whangarei—Courthouse. (W. J. Reeve, agent.)
- Thames—Courthouse. (J. Jordan, agent.)
- Waihi—Courthouse. (J. McIndoe, agent.)
- Hamilton—Courthouse. (H. J. Dixon, agent.)
- Gisborne—Courthouse. (G. J. A. Johnstone, agent.)
- New Plymouth—Courthouse. (J. Terry, agent.)
- Napier—Courthouse. (A. Trimble, agent.)
- Wanganui—Courthouse. (C. A. Barton, agent.)
- Taihape—Courthouse. (W. Baker, agent.)
- Palmerston North—Courthouse. (C. J. Hewlett, agent.)
- Masterton—Courthouse. (M. Foley, agent.)
- Nelson—Courthouse. (E. C. Kelling, agent.)
- Blenheim—Courthouse. (F. W. Hart, agent.)
- Westport—Courthouse. (O. E. Bowling, agent.)
- Greymouth—Courthouse. (E. Harper, agent.)
- Hokitika—Courthouse. (J. N. Nalder, agent.)
- Christchurch—Supreme Court. (W. W. Samson, agent.)
- Ashburton—Courthouse. (J. Fitzgerald, agent.)
- Timaru—Courthouse. (T. W. Taylor, agent.)
- Oamaru—Courthouse. (A. A. Mair, agent.)
- Dunedin—Supreme Court. (T. E. Roberts, agent.)
- Clyde—Courthouse. (F. T. D. Jeffery, agent.)
- Gore—Courthouse. (G. H. Lang, agent.)
- Queenstown—Courthouse. (A. J. Thompson, agent.)
- Invercargill—Courthouse. (J. R. Colyer, agent.)

Applications for Letters Patent filed.

LIST of applications for Letters Patent filed. (Where a complete specification accompanies an application an asterisk is affixed; in all other cases a provisional specification has been lodged. In all cases where the applicant is not the inventor the name of the latter appears in italics after the title. † Denotes an application under the International and Intercolonial Arrangements.)

- No. 25953.—14th May.—G. Walker, Tuakau, N.Z.
Flax-dressing machine.*
- No. 25954.—14th May.—W. McInnes, Auckland, N.Z.
Log, stump, &c., extractor.
- No. 25955.—18th May.—W. White and H. T. Pringle, Timaru, N.Z.
Kitchen-range.
- No. 25956.—19th May.—J. W. Bates, Hastings, N.Z.
Account-book.
- No. 25957.—20th May.—S. Weingott, Sydney, N.S.W.
Waterproof coat.
- No. 25958.—20th May.—M. Tillie, Londonderry, Ireland.
Button-hole-making machine.*
- No. 25959.—20th May.—Hannams, Limited, Sydney, N.S.W.
Bath water heater. (*W. H. Hannam*.)
- No. 25960.—20th May.—J. Syvret, Darlington, N.S.W.
Closet.*
- No. 25961.—20th May.—A. Parker, Wellington, N.Z.
Rotary printing-machine.
- No. 25962.—20th May.—A. K. W. Rissel, Wellington, N.Z.
Electric relay.
- No. 25963.—19th May.—W. F. Nightingale and G. Brown, Auckland, N.Z.
Persian lolly.
- No. 25964.—21st May.—T. Siddans, Wellington, N.Z.
Box for counters, &c.
- No. 25965.—21st May.—W. T. and J. M. Rickus, Temuka, N.Z.
Bird-trap.

- No. 25966.—21st May.—F. G. Reid, Wellington, N.Z.
Cow-cover.*
- No. 25967.—19th May.—W. Beamish, Hastings, N.Z.
Regulating stop-cocks, &c.
- No. 25968.—21st May.—W. Harvey, Auckland, N.Z.
Cheese-pressure block.
- No. 25969.—22nd May.—J. Collins, Dunedin, N.Z.
Casting metal heads to nails.*
- No. 25970.—25th May.—C. W. Clayton, Wanganui, N.Z.
Insole.*
- No. 25971.—25th May.—L. M. Wilton, Wellington, N.Z.
Crockery-drainer.
- No. 25972.—26th May.—A. L. Dunphy, Blackheath, Eng.
Inverted incandescent burner.*
- No. 25973.—26th May.—H. Corrick, Wellington, N.Z.
Bicycle, &c., seat, saddle, and pillar.
- No. 25974.—11th May.—H. Akhurst, Riverton, N.Z.
Brush.*
- No. 25975.—1st June, 1908†.—E. J. Solano, London, Eng.
Moving target.*
- No. 25976.—26th May.—J. L. Hunter, Wellington, N.Z.
Linotype production and apparatus.*
(*Linotype and Machinery, Limited—H. Pearce and J. E. Billington.*)
- No. 25977.—26th May.—H. Fenton, Glebe Point, N.S.W.
Boot, &c., heel.*
- No. 25978.—24th May.—J. McCombs, Christchurch, N.Z.
Toaster.
- No. 25979.—26th May.—H. Merrett, East Burwood, Vic.,
and C. E. Merrett, Melbourne, Vic.
Internal combustion engine.*
- No. 25980.—27th May.—G. S. Langford, Huntly, N.Z.
Rope-clip.
- No. 25981.—27th May.—T. F. Brown, Coburg, Vic.
Metal framework for furniture.
- No. 25982.—27th May.—W. C. Comport, Rimu, N.Z.
Cross-cut saw.
- No. 25983.—21st May.—A. T. Lawrence, Invercargill, N.Z.
Plough.
- No. 25984.—26th May.—W. Seavill, Waingaro, N.Z.
Horse-cover.
- No. 25985.—26th May.—J. H. Hutchinson, Auckland, N.Z.
Merchandise-transporter.
- No. 25986.—26th May.—E. von Lepel, Berlin, Ger.
Producing electric oscillations.*
- No. 25987.—28th May.—W. Steer, Lower Hutt, N.Z.
Egg-tester.
- No. 25988.—28th May.—W. F. Mackenzie, Oamaru, N.Z.
Pneumatic-tire patch.
- No. 25989.—28th May.—G. H. Legg, Gisborne, N.Z.
Cigarette, &c., mouthpiece.
- No. 25990.—29th May.—R. Sorenson, Hastings, N.Z.
Shifting seat on gig.
- No. 25991.—26th May.—J. C. Hay, Waikumete, N.Z.
Fire-escape.
- No. 25992.—27th May.—J. Riddles and G. Metcalfe.
Egg-whisk.
- No. 25993.—28th May.—T. Hemming, Auckland, N.Z.
Curtain-connector.
- No. 25994.—28th May.—A. O. Goulet, Auckland, N.Z.
Coat-hanger.
- No. 25995.—29th May.—E. G. M. Foord, Dunedin, N.Z.
Obtaining power from running stream.
- No. 25996.—28th May.—J. Baird, Auckland, N.Z.
Earth-closet.*
- No. 25997.—28th May.—Massey-Harris Company, Limited,
Toronto, Canada.
Side-delivery rake.* (*L. Melvin-Jones and A. Johnston.*)
- No. 25998.—28th May.—S. and T. Watkins, Dunedin, N.Z.
Baling-press.
- No. 25999.—31st May.—G. A. Gamman, Ohakune, N.Z.
Drying timber.
- No. 26000.—31st May.—C. W. Clayton, Wanganui, N.Z.
Insole.

Complete Specifications filed after Provisionals.

LIST of complete specifications filed after provisional specifications, from the 18th May to the 1st June, 1909, inclusive:—

- No. 24813.—G. H. MacEwan, driving mechanism for milk-
agitator apparatus. (R. W. D. Robertson.)
- No. 24835.—W. McEachern, lifting-jack.
- No. 24838.—E. L. Barton, aeronautical apparatus.
- No. 24860.—P. A. and C. W. LeMarquand, utilising
engine-exhaust for heating, &c.
- No. 24940.—E. W. Gowdy, rail-joint.
- No. 24956.—T. French, gate, &c., post.
- No. 25034.—W. Nelson, lamp-ventilator, &c.
- No. 25133.—E. W. Coleman, driving-gear.
- No. 25896.—E. Smethurst, temperature-indicator.

Notice of Acceptance of Complete Specifications.

Patent Office.

Wellington, 2nd June, 1909.

COMPLETE specifications relating to the undermen-
tioned applications for Letters Patent have been
accepted, and are open to public inspection at this office.
Any person may, at any time within two months from the
date of this *Gazette*, give me notice in writing of opposition
to the grant of any such patent. Such notice must set forth
the particular grounds of objection, and be in duplicate. A
fee of 10s. is payable thereon.

No. 24387.—12th May, 1908.—HORACE BLYTHE and
ANDREW McLUSKIE, both of Wanganui, New Zealand, Soap-
manufacturers. Ointment for curing skin-diseases.

Extract from Specification.—The ingredients are beeswax,
red oxide of mercury, and olive-oil.

[NOTE.—The above extract from the specification is inserted in place
of the claims.]

(Specification, 1s.)

No. 24497.—6th June, 1908.—HAROLD BERRY, of Clements-
ton, Victoria, Australia, Engineer. Improvements in suction
gas plants.*

Extract from Specification.—Consists in the provision of
means for the withdrawal of clinkers, slag, or other refuse
from the lower part of the furnace without opening same
to the atmosphere other than for the short space of time
necessary for discharging the previously collected clinkers
and other refuse.

[NOTE.—The above extract from the specification is inserted in place
of the claims.]

(Specification, 4s. 6d.; drawing, 1s.)

No. 24541.—23rd June, 1908.—GEORGE WILLIAM WHITE-
HEAD, of 38 Madras Street, St. Albans, Christchurch, in the
Dominion of New Zealand. An improved double-acting
hand-pump.*

Claims.—(1.) A pump of the kind described, comprising,
in combination, a main barrel fixed upon a base and fitted
with a foot-valve, a tubular plunger within the main barrel,
a spring located upon the plunger, a valve closing the bottom
of the plunger, openings in the barrel above the valve, a second
barrel having a communication with the top of the main barrel,
and a discharge-pipe connected to the bottom of the second
barrel, substantially as set forth. (2.) The double-acting
hand-pump consisting of the parts constructed, arranged, and
operating substantially as specified.

(Specification, 1s. 9d.; drawing, 1s.)

No. 24720.—21st July, 1908.—JORGEN PEDERSEN, of 537
Flinders Street, Melbourne, Victoria, Australia, Merchant.
Improvements in combined churns and butter-workers.*

Extract from Specification.—According to this invention,
the hole in the churn-side and the door covering it are ex-
tended for, as near as possible, the full length of the said
churn, beneath which is placed a trolley. For the removal
of the manufactured product, after displacement of the
elongated door, it is only necessary to partially rotate the
churn-barrel, when the said product will gravitate into the
said trolley.

[NOTE.—The above extract from the specification is inserted in place
of the claims.]

(Specification, 4s. 6d.; drawing, 1s.)

No. 25320.—9th December, 1908.—PETER JOHN LEWIS, of
Lyndhurst, New Zealand, Farmer. An improved wire-
strainer.*

Claims.—(1.) In a wire-strainer, the combination with a
bar having ratchet-teeth upon two of its opposite faces, and
a slot formed longitudinally therein, of a block slidably
mounted in such slot, a hand-lever provided with pawls
adapted to alternately engage the ratcheted faces of the bar
and by means of which the block may be moved along within
the slot, and means for securing the wire to the block, sub-
stantially as and for the purpose set forth.

[NOTE.—Here follow three other claims.]

(Specification, 4s. 6d.; drawing, 1s.)

No. 25516.—3rd February, 1909.—**GEORGE SIMS MARLEY**, of Willis Street, Wellington, New Zealand, Specialist in Physical Culture. An improved embrocation.

Claims.—(1.) The described composition of matter consisting of lanoline, oil of rosemary, olive-oil, turpentine, eggs, acetic acid, camphor, and water, substantially as described, and for the purpose specified.

[NOTE.—Here follows one other claim.]

(Specification, 2s. 6d.)

No. 25559.—15th February, 1909.—**HARRY WOOD DOWNING**, of Gloucester Street, Christchurch, New Zealand, Saddler. Improved method of and apparatus for constructing saddle-trees.

Claims.—(1.) The improved method of and apparatus for constructing saddletrees, substantially as specified and illustrated. (2.) A saddletree comprising a block having a middle raised portion and a rebate extending round its edge, substantially as specified and illustrated.

(Specification, 2s. 6d.; drawing, 1s.)

No. 25561.—16th February, 1909.—**AAGE JENSEN**, of Eureka Humboldt Company, California, United States of America, Manufacturer of Dairy Machinery. Process of and apparatus for pasteurising.

Claims.—(1.) A regenerative method of pasteurising liquid, which consists in causing the liquid to flow in a continuous stream, applying a pasteurising heat thereto at a point in its path, and causing the two portions of the stream immediately before and after said application of heat to flow in films of capillary thickness on opposite sides of a thin extended sheet of heat-conductive material, substantially as described.

[NOTE.—Here follows one other claim.]

(Specification, 4s. 6d.; drawing, 1s.)

No. 25619.—25th February, 1909.—**AGNES EDMOND**, of Duke Street, Dunedin, New Zealand, Gentlewoman. Improved general cleaning-instrument.*

Extract from Specification.—I partly cover a foundation having a conveniently formed handle with such substances as cork, adapted by its shape to clean either flat, round, or hollow surfaces, or also with such other cleaning-surfaces as leather, velvet, and brush-bristles, or all these may be combined in one cleaning-instrument.

[NOTE.—The above extract from the specification is inserted in place of the claims.]

(Specification, 2s.; drawing, 1s.)

No. 25731.—24th March, 1909.—**M. DONAGHY AND SONS PROPRIETARY, LIMITED**, carrying on business as Rope-manufacturers, at Pakington Street, West Geelong, Victoria, Australia (assignees of William Jose, of Candover Street, West Geelong aforesaid, Engineer). An improved machine for automatically indicating and facilitating the removal of lumps, bunches of fibre, or other inequalities of size in binder-twine.

Claims.—(1.) The described machine for automatically indicating and facilitating the removal of lumps or other inequalities of size in binder-twine, said machine consisting of the various parts constructed, arranged, and operating substantially as and for the purposes specified, and as illustrated in the drawings. (2.) In a machine for automatically indicating and facilitating the removal of lumps, bunches of fibre, or other inequalities of size in binder-twine, dies as J, having holes as I through which the twine is led to a reel or spool, substantially as and for the purposes specified, and as illustrated in the drawings. (3.) In a machine for automatically indicating and facilitating the removal of lumps, bunches of fibre, or other inequalities of size in binder-twine, a spring arm as M bearing against the twine upon the reel or spool off which it is being run, substantially as and for the purposes specified, and as illustrated in the drawings.

[NOTE.—Here follow two other claims.]

(Specification, 4s. 9d.; drawing, 1s.)

No. 25733.—23rd March, 1909.—**THE BRETT PRINTING AND PUBLISHING COMPANY, LIMITED**, being a company duly incorporated in the Dominion of New Zealand, and having its head office situated in Shortland Street, Auckland, New Zealand (nominees of John de Burgh Galwey, of 65 Marlborough Road, Donnybrook, Dublin, Ireland, Engineer, and Emil Schreier, of 23 Bartlett's Buildings, Holborn Circus, London, England, Engineer). Improved arrangement for giving movement to automatic numbering mechanism for printing-machines.

Claims.—(1.) In printing-machines, the arrangement for actuating automatic numbering-mechanism, comprising a cam or analogous part actuated by such printing-machine and adapted to impart two or more movements to a plurality of numbering-barrels between each impression through a lever or its equivalent, substantially as described.

[NOTE.—Here follow eight other claims.]

(Specification, 11s.; drawing, 3s.)

No. 25795.—7th April, 1909.—**FRANCIS ANTONIO BURDETT-STUART**, of Chertsey, Canterbury, New Zealand, Water Ranger. A combined drawing-board and protractor.

Claim.—A circular board that can be revolved, graduated into degrees and parts of degrees; a bearing for the same that is capable of being attached to a table; in combination with the above, a piece of timber, straight-edged on one side and recessed on the other, to fit the curve of circular board, having vernier constructed on it, and capable of being attached in contact with above-mentioned circular board, substantially as set forth.

(Specification, 2s. 6d.; drawing, 1s.)

No. 25804.—7th April, 1909.—**ALEC LESLIE EDGAR CROMBIE**, of Cobar, New South Wales, Australia, Engine-fitter. A mechanical music-teacher.

Claims.—(1.) A mechanical music-teacher, comprising means for moving music past a point or line at a required rate of speed, a frame capable of being suspended to the front of a musical instrument or music-stand, a pair of holding-rollers operated by a variable-speed gear and motor, a tension roller in contact with holding-roller, hinged roller-pivots, a transparent face and backboard, a return gear, and music-sheets in the form of endless bands, all constructed and arranged substantially as and for the purpose specified, and as described and illustrated in the drawings.

[NOTE.—Here follow ten other claims.]

(Specification, 8s. 6d.; drawing, 2s.)

No. 25823.—8th April, 1909.—**JOHN CROW McGEORGE**, of Dunedin, New Zealand, Engineer. Alternate tail chute for gold-dredges and the like.

Claims.—(1.) A supplementary tail chute for the purpose indicated, in combination with an ordinary gold-saving chute. (2.) A supplementary chute for the purpose indicated, in combination with an ordinary gold-saving chute, contracted metal sections arranged longitudinally with and pivotally secured to the said ordinary chute. (3.) The combination and arrangement of parts comprising my alternate tail chute, substantially as described with reference to the drawings. (4.) Apparatus for discharging strippings, substantially as described, and as illustrated in the drawings.

(Specification, 3s. 6d.; drawing, 1s.)

No. 25832.—14th April, 1909.—**HENRY WILSON ROY and ARTHUR WEBER**, both of Wellington, New Zealand, Engineers. Means for locking electric lamps within their holders.

Claims.—(1.) Means for locking electric lamps within their holders, consisting of a hollow collar surrounding the socket-piece of the lamp and resting on the neck thereof, adapted to allow of the holder being passed down into it, an annular plate arranged within such collar with its inner edge surrounding the socket-piece and adapted to engage with the bottom of the holder when raised in the collar, and means whereby such annular plate may be raised and lowered within the collar, and may be locked in the raised position.

[NOTE.—Here follow two other claims.]

(Specification, 4s. 6d.; drawing, 1s.)

No. 25833.—14th April, 1909.—HENRY WILSON ROY and ARTHUR WEBER, both of Wellington, New Zealand, Engineers. Means for locking electric lamps within their holders.

Claims.—(1.) Means for locking electric lamps within their holders, consisting of a band or collar encircling the holder, and formed with apertures or slots therein through which the pins of the lamp socket-piece are adapted to project, and provided with means whereby it may be caused to tightly encircle the holder and be locked in such condition.

[NOTE.—Here follow two other claims.]

(Specification, 4s. ; drawing, 1s.)

No. 25840.—14th April, 1909.—LEONARD GRIFFITH GRACE, Agent, and THOMAS HARRY GILLMAN, Architect, both of Hawera, New Zealand. An improved automatic hydraulic air-exhauster or vacuum pump.

Claims.—(1.) Means for exhausting air from any vessel, the same consisting of water-receptacle to which is attached cast cylinder, in the bottom of which is affixed one or more pipes, and having at its upper end an inlet-valve, and attached to cylinder a double-acting check-valve and vacuum-tank, as described and illustrated in specifications and drawings.

[NOTE.—Here follow four other claims.]

(Specification, 4s. ; drawing, 1s.)

No. 25846.—20th April, 1909.—JAMES MINERS HOLMAN, of Camborne, Cornwall, England, Engineer; MARY ELIZABETH CARTEW HOLMAN, of Camborne aforesaid, widow of John Henry Holman, deceased, who resided at Camborne aforesaid; GEORGE BENNETT NANCARROW, of Middlesbrough, York, England, Accountant; and CHARLES VIVIAN THOMAS, of Camborne aforesaid, Solicitor, the legal representatives (joint executors) of the said John Henry Holman, deceased. Improvements in stamp-mills for crushing ore and other substances.

Extract from Specification.—According to the invention, the cylinder, instead of being provided with only one pair of bearings or gudgeons for the attachment of the connecting-rod, as heretofore, is provided with two pairs of gudgeons at right angles, or substantially right angles, to each other, and at the same or different levels, or the cylinder is carried in a sleeve, preferably by screw-threads, which permit of its being turned or raised and lowered.

[NOTE.—The above extract from the specification is inserted in place of the claims.]

(Specification, 4s. 3d. ; drawing, 1s.)

No. 25848.—19th April, 1909.—HENRY JAMES TURNER and ERNEST EDWARD TURNER, trading as "Turner and Co.," of 14 Maria Place, Wanganui, New Zealand, Cycle and Motor Engineers. Improved automatic stop pulleys.

Claim.—The improvement in setting a wedge of suitable shape between a pair of pulleys, as shown in Fig. 1, which gives inside view of block; A shows side view of wedge; B shows top-end view of wedge, and pin by which the lever works it; C shows the lever which lifts the wedge; Fig. 2 shows outside view of cheek and lever in position.

(Specification, 1s. ; drawing, 1s.)

No. 25854.—21st April, 1909.—GEORGE COWDERY, of "Llanfair," Albert Street, Burwood, near Sydney, New South Wales, Engineer. Improved rail-joint for railways.

[NOTE.—This is an application under the International and Intercolonial Arrangements, the date applied for—i.e., 26th June, 1908—being the official date of the application in Australia.]

Claims.—(1.) Improved rail-joint for railways, consisting of abutting rails each having its end formed doubly diagonally with the tread and the web (with base) at opposite angles, and ordinary fish-fastenings or the like, substantially as described and explained. (2.) A rail having parallel doubly diagonal ends, substantially as described and explained.

(Specification, 2s. 3d. ; drawing, 1s.)

No. 25855.—21st April, 1909.—GEORGE LEWIS, of Wellesley Road, Napier, New Zealand, Plasterer. An improved method of joining plaster slabs.

Claim.—The improved method of joining plaster slabs, consisting in forming the adjacent edges of the slabs with dovetailed rebates, so as to constitute a dovetail recess between them, and in filling such recess with plaster in which a strip of scrim or like material is imbedded in such a manner as to extend across the joint, substantially as specified.

(Specification, 2s. ; drawing, 1s.)

No. 25856.—14th August, 1908.—ERNEST CLARK, of "Brooklyn," Pearl Street, Northcote, Victoria, Australia, formerly of 35 James Street, Windsor, Victoria, Manager. An improved method of, and apparatus for, retreading and repairing the covers of pneumatic tires.

[NOTE.—This is an application under the International and Intercolonial Arrangements, the date given being the official date of the application in Australia.]

Extract from Specification.—My improved method consists in preparing strips of rubber dough of a suitable length and variable widths. These strips are moistened by the application of benzine, naphtha, or the like, and then pressed together with the widest strips at the bottom and the narrowest at the top. The rubber dough, prepared as above described, is placed on a section of the tire to be repaired, which tire has been previously cleaned, and the section is then placed in an apparatus devised for shaping, pressing, and vulcanising the prepared rubber to the outer surfaces of the tire-covering.

[NOTE.—The above extract from the specification is inserted in place of the claims.]

(Specification, 6s. 6d. ; drawing, 1s.)

No. 25872.—27th April, 1909.—JAMES HODGKINSON, of 4 Halton Bank, Eccles Old Road, Pendleton, Manchester, England, Engineer. Improvements in and connected with apparatus for use in evaporating liquid from brine for the production of salt, or for evaporating liquid from other solutions.

Extract from Specification.—I take steps for constant feeding or charging of fuel to the fire or fires, and I use such a stoker as the Hodgkinson or like stoker, in which the fuel is fed by rams elevated above the fire-doors against an elevated or top coking-plate, which serves to evenly feed the fuel upon a dead-plate forming a coking-bed below the door and immediately above reciprocating fire-bars. The reciprocating fire-bars are self-cleaning, and the fuel is taken from the bottom of the coking-bed, and as it is consumed is traversed from the front to and over the back of the furnace-grate, and the furnace-doors are never opened during evaporation, and thus the temperature will only vary a degree or two if the stoker has proper attention. I take steps to prevent interior incrustation, the appliance used for this purpose also sweeping the product to an outlet, from which it is mechanically lifted, and I also agitate the liquid to assist evaporation, and to break up any surface film. The entire heat both of steam and furnace gases, due to the working of the main or other pan, is or may be beneficially utilised to impart heat to brine in auxiliary or successive pans, or to heat a supply of brine for passage to the evaporating pan or pans. The steam produced in one pan is superheated by the furnace gases when being utilised to heat an auxiliary pan.

[NOTE.—The above extract from the specification is inserted in place of the claims.]

(Specification, 10s. ; drawing, 5s.)

No. 25873.—27th April, 1909.—THOMAS CLAUD DURHAM, of 111 Fifth Avenue, New York, United States of America, Gentleman. Improvements in razors.

Claims.—(1.) In a razor, the combination with a blade, of a co-operating safety-guard lying beyond the edge of the blade, substantially as described.

[NOTE.—Here follow eight other claims.]

(Specification, 4s. 6d. ; drawing, 1s.)

No. 25875.—27th April, 1909.—JOHN MACY WALCUTT, of 409 Pearl Street, New York, United States of America, Printer. Improvements in packages for razor-blades.

Claims.—(1.) A package for razor-blades, comprising a strip of material having means for positioning a blade, and a flap folded over the blade, substantially as described.

[NOTE.—Here follow eleven other claims.]

(Specification, 5s.; drawing, 1s.)

No. 25883.—29th July, 1908.—ARTHUR JOHN BEDFORD, late of 33 William Street, Melbourne, Victoria, Australia, but now of Knowles Street, Northcote, Victoria aforesaid, Manufacturer of Fencing-material, and HAROLD CHARLES L'OSTE ROLFE, late of 33 William Street aforesaid, but now of the Equitable Building, Collins Street, Melbourne aforesaid, Manufacturer of Fencing Material. Improved fencing-dropper.

[NOTE.—This is an application under the International and Inter-colonial Arrangements, the date applied for—i.e., 29th July, 1908—being the official date of the application in Australia.]

Claims.—(1.) The described fencing-dropper, comprising two V-shaped sections having indentations, depressions, or corrugations provided in the side edges for receiving and keeping the fence-wires in position, and transverse pins for holding said sections together, as set forth and as illustrated. (2.) The described fencing-dropper, embracing in its construction indentations, depressions, or corrugations provided at frequent intervals on the side edges of each V-shaped section, and transverse pins passed through holes, and with their ends bent over, for holding together said sections upon the fence-wires, as set forth and as illustrated.

(Specification, 2s.; drawing, 1s.)

No. 25886.—28th April, 1909.—EDWIN LETTS OLIVER, of 218 South Church Street, Grass Valley, Nevada, California, United States of America, Metallurgical Engineer. Continuous vacuum filter.

Claim.—(1.) A filter of the described class, comprising a tank, a rotatable drum mounted therein, said drum having its periphery divided into an annular series of filter-sections, a hollow axle by which said drum is carried, two series of pipes leading into said hollow axle from one end and passing out through its wall radially to and communicating with the filter-sections, the inleading ends of one series of pipes being in communication with a means for producing a vacuum, and the inleading ends of the other series of pipes being in communication with a source of compressed-air pressure, and an automatically operated valve in connection with said inleading-pipe ends for controlling the pressure in both series of pipes.

[NOTE.—Here follow eight other claims.]

(Specification, 12s.; drawing, 4s.)

No. 25939.—12th May, 1909.—ERNEST SMITH BALDWIN, of the firm of Baldwin and Rayward, 215 Lambton Quay, Wellington, New Zealand, Patent Agent (nominee of Samuel Kaye, of Columbus, Mississippi, United States of America, Manufacturer). Improvements in and relating to roller-bearings.

Extract from Specification.—My present invention consists in a plurality of rollers arranged around a journal-bearing in sets of threes, with the intermediate roller of a relatively small diameter, and the axial centres of the three rollers in each set held in parallelism and in alignment with one another, and means located at each end of the rollers for maintaining this parallelism and alignment.

[NOTE.—The above extract from the specification is inserted in place of the claims.]

(Specification, 5s.; drawing, 1s.)

An asterisk (*) denotes the complete specification of an invention for which a provisional specification has been already lodged.

NOTE.—The cost of copying the specification and drawing has been inserted after the notice of each application. An order for a copy or copies should be accompanied by a post-office order or postal note for the cost of copying.

The date of acceptance of each application is given after the number.

Extracts from the drawings accompanying the foregoing complete specifications appear at the end of this Gazette.

J. C. LEWIS,
Registrar.

Provisional Specifications accepted.

Patent Office,
Wellington, 2nd June, 1909.

APPLICATIONS for Letters Patent, with provisional specifications, have been accepted as under:—

- No. 25756.—W. E. Garey, electric switch.
- No. 25817.—E. Nesbitt, slip-bodice.
- No. 25828.—J. R. Davies, gas.
- No. 25850.—W. F. and C. T. Collings, soldering-iron and brazer.
- No. 25867.—F. H. Rutland, windmill.
- No. 25869.—E. Fitzpatrick, noxious-weed root-collector.
- No. 25870.—J. H. Warren, sanitary pan lid.
- No. 25871.—J. M. Collins, J. Low, and A. Burges, flax-treating machine.
- No. 25872.—J. M. Thomson, game.
- No. 25878.—W. Henry and W. Duncan, window-sash hanger.
- No. 25879.—J. Betty, curtain-pole lifter.
- No. 25882.—R. S. Ross and R. J. Redshaw, flax-stripper.
- No. 25889.—E. L. Pearse, bicycle toe-clip.
- No. 25891.—O. Coates, aerial machine.
- No. 25892.—W. H. Long, air-compression.
- No. 25893.—R. S. Haughton, removing dirt from tram-rails, &c.
- No. 25895.—A. C. Baird, reversible oil or gas engine.
- No. 25897.—E. Moss, fire-alarm, &c., annunciator.
- No. 25906.—D. G. Sutherland, mat, &c., holder.
- No. 25907.—E. R. Godward, trace-fastening for whiffle-tree.
- No. 25912.—G. Walker, fibre-drying, &c., mechanism.
- No. 25914.—J. R. Davies and H. Stairmand, gas-making machine.
- No. 25916.—M. A. Browne, clothes-peg.
- No. 25919.—W. J. F. Hayter, working ironsand.
- No. 25924.—W. H. Hewitt, staple.
- No. 25925.—E. H. Browne, wire-strainer.

[NOTE.—Provisional specifications cannot be inspected, or their contents made known by this office in any way, until the complete specifications in connection therewith have been accepted.]

Letters Patent sealed.

LIST of Letters Patent sealed from the 16th to the 27th May, 1909, inclusive:—

- No. 23520.—R. Millis, fibre-preparation.
- No. 23946.—J. J. Wilton, brake-block wearing-strip.
- No. 23969.—W. J. Roebuck and E. J. Thomson, scaffold-clamp.
- No. 23975.—United Shoe Machinery Company, boot-making machine. (A. Bates.)
- No. 23976.—United Shoe Machinery Company, punching and eyeletting machine. (A. E. Jerram and J. Gould-bourn.)
- No. 23989.—M. Gribble, sash-lock.
- No. 24034.—J. Blake, milking-machine teat-cup.
- No. 24111.—O. Bredehorst, spring cart.
- No. 24448.—K. E. Fryklind, nightsoil-treatment.
- No. 24514.—C. M. Browne and W. J. James, manufacture of boots, &c., from skins of animals.
- No. 24552.—W. J. and A. Malden, tar-treatment.
- No. 24595.—J. Snodgrass, cyanide-manufacture.
- No. 25081.—C. W. Eccleston, ore-concentrator.
- No. 25176.—E. Temple, gas-generating, &c., apparatus.
- No. 25247.—A. Goetz and P. A. Jones, pasteurization process.
- No. 25338.—H. H. Hesketh, time gas-cut-off, with electric alarm.
- No. 25405.—W. H. Caldwell, photographic sensitised-surface manufacture.
- No. 25499.—A. E. Whitelaw, boot-upper.

Letters Patent on which Fees have been paid.

[NOTE.—The dates are those of the payments.]

SECOND-TERM FEES.

- No. 19507.—J. Price, manufacture of nitrates, nitrates, &c. 18th May, 1909.
- No. 19525.—T. Ballinger and W. Milligan, spouting-bracket. 28th May, 1909.
- No. 19540.—G. Hutchinson, milking-machine. 27th May, 1909.
- No. 19559.—V. Berg, ventilator. 31st May, 1909.
- No. 19567.—J. R. Harrison, amalgamator and concentrator. 26th May, 1909.
- No. 19675.—A. N. Whitney, ship. 21st May, 1909.

No. 19688.—T. Edwards, tilting ore-furnace. 26th May, 1909.

No. 19828.—E. Resch, bottle-clip. (J. J. McGarry.) 20th May, 1909.

No. 19914.—Johnson's Patent Rolling Mill Company, Limited. (G. B. Johnson.) 19th May, 1909.

THIRD-TERM FEES.

No. 14891.—D. Murphy, plumber block for flax-stripper. 19th May, 1909.

No. 15248.—A. D. Smith, automatic buffer-coupler and draw gear. 15th May, 1909.

Applications for Letters Patent abandoned.

LIST of applications, with which provisional specifications only have been filed, abandoned (i.e., complete specifications not lodged) from the 18th to the 31st May, 1909, inclusive:—

No. 24687.—W. F. Lietz and D. O'Connor, paper, &c., receptacle.

No. 24690.—L. G. Grace, bicycle-fork.

No. 24695.—G. M. Scott, advertising-device.

No. 24697.—J. W. Whitelaw, railway-sleeper.

No. 24699.—H. Guscott, fencing-standard.

No. 24701.—E. Hill, A. Wakem, and E. Papworth, potato grubber and cultivator.

No. 24705.—L. W. D. Andrews, disc talking-machine.

No. 24707.—J. P. Dyason and B. Gerlach, dish-washer, &c.

No. 24708.—J. M. Landon, talking-machine.

No. 24709.—N. G. G. Winkelman, ash-pan for stove.

No. 24714.—C. F. Lungley, preserving-composition for iron, steel, &c.

No. 24716.—E. C. Piercy, milk heater and cooler.

No. 24717.—E. W. Gowdy, railway-coupling.

No. 24725.—J. Gibbon, drill-holder.

No. 24726.—A. J. Hall, gas cut-off valve.

No. 24729.—E. J. Butterworth, fire-grate.

No. 24731.—G. L. Columbus, breeching-attachment.

No. 24735.—J. Fraser, C. Jumeaux, and S. E. Fraser, recording deviations in vessel's course.

No. 24738.—H. E. Wilson, trolley-pole retriever.

No. 24741.—A. E. Harkin, boot for painters, &c.

No. 24742.—W. Seifert, clutch mechanism.

No. 24743.—W. Seifert, flax-catcher, &c.

No. 24745.—R. L. L. Luke, brooch-pin.

No. 24746.—J. Grant, gate-fastening.

No. 24748.—G. Forsyth, egg-carrier.

No. 24750.—C. McIntyre, fumigating-appliance.

No. 24758.—A. M. Bartley, rabbeting and grooving attachment to saws.

No. 24760.—G. Walker, fibre drying, loading, &c., mechanism.

Applications for Letters Patent void.

APPLICATIONS for Letters Patent, with which complete specifications have been lodged, void owing to non-acceptance of such complete specifications, from the 18th to the 31st May, 1909, inclusive:—

No. 24033.—R. M. Smith, building-block.

No. 24038.—C. A. Jewell and F. A. H. Watson, removing lambs' tails by searing.

No. 24047.—C. Giorgi, ventilator.

Applications for Letters Patent lapsed.

APPLICATIONS for Letters Patent lapsed, owing to Letters Patent not being sealed, from the 18th to the 31st May, 1909, inclusive:—

No. 23730.—P. S. Irwin, balanced door or window.

No. 23735.—J. J. Taucher, clothes-peg.

No. 23757.—A. I. Carr, fencing-standard.

No. 23759.—L. N. Ralph, barbed wire uncoiling, &c., machine.

Letters Patent void.

LIST of Letters Patent void through non-payment of renewal fees, and through expiry of term of fourteen years, from the 18th to the 31st May, 1909, inclusive:—

THROUGH NON-PAYMENT OF SECOND-TERM FEES.

No. 19101.—R. N. Adams and A. R. Hardy, sash mover and lock.

No. 19111.—J. R. Hatmaker, dried milk.

No. 19112.—E. F. B. Kenyon and S. S. Titt, producing bread-crumbs.

No. 19113.—E. S. Schroeder, stump-extractor.

No. 19124.—A. Beaton, race-judging apparatus.

No. 19125.—F. W. Paterson, jug-cover.

No. 19126.—G. S. Mayhew, sawing and planing machine.

No. 19127.—W. E., J. T. and A. G. Catesby, linoleum, carpet, &c.

No. 19131.—S. Priest, wall-tie.

No. 19132.—F. D. Hopkins, gun-sight.

No. 19134.—E. D. Bilham, fencing-standard.

No. 19139.—W. K. Wallace and J. W. Deem, injecting air into udder.

No. 19148.—L. D. Mattassi, chain hook and link.

No. 20728.—J. Duffy, wood-paving.

THROUGH NON-PAYMENT OF THIRD-TERM FEES.

No. 14541.—J. Bedford and T. F. Longland, windmill.

No. 14543.—J. Green, seed-sower.

No. 14564.—H. G. Hankin, gold-saving apparatus.

THROUGH EXPIRY OF TERM.

No. 7629.—A. Billens, kerosene-pump.

No. 7632.—W. U. Savage, apparatus for racking liquids.

Applications for Trade Marks filed.

LIST of applications for registration of Trade Marks filed from the 18th to the 31st May, 1909, inclusive:—

No. 7987.—19th May.—G. H. Boyd and J. M. Brennan, Wanganni, N.Z. Class 22.

No. 7988.—19th May.—Aitchison, Steans, and Co., Christchurch, N.Z. Class 48.

No. 7989.—20th May.—W. Tailby, Auckland, N.Z. Class 39.

No. 7990.—20th May.—W. H. Metcalf, Pymont, N.S.W. Class 1.

No. 7991.—20th May.—Canada Cycle and Motor Company, Limited, Toronto, Canada. Class 22.

No. 7992.—20th May.—Union Metallic Cartridge Company, Bridgeport, U.S.A. Class 20.

Nos. 7993 and 7994.—20th May.—J. O. Shorland, Wellington, N.Z. Class 40.

No. 7995.—21st May.—Taiawhio te Tau and Co., Masterton, N.Z. Class 50.

No. 7996.—21st May.—The Agricultural and Pastoral Food Company, Limited, Wellington, N.Z. Class 2.

No. 7997.—25th May.—E. Varley and Co., Auckland, N.Z. Class 42.

Nos. 7998 and 7999.—25th May.—A. C. Lennard, Wanganui, N.Z. Class 42.

No. 8000.—25th May.—R. Fewell, Grey Lynn, N.Z. Class 44.

Nos. 8001 and 8002.—25th May.—Brace, Windle, Blyth, and Co., Limited, Dunedin, N.Z. Class 13.

Nos. 8003, 8004, 8005, 8006, and 8007.—25th May.—Ellis and Mantou, Wellington, N.Z. Class 42.

No. 8008.—25th May.—Cycle and Motor Supplies, Limited, Wellington, N.Z. Class 40.

No. 8009.—26th May.—J. C. Holland, Auckland, N.Z. Class 8.

No. 8010.—26th May.—A. D. Sloane, Wellington, N.Z. Class 3.

No. 8011.—27th May.—Union Carbide Company, New York, U.S.A. Class 1.

No. 8012.—27th May.—T. C. Reynolds, Prahran, Vic. Class 42.

No. 8013.—27th May.—Continental C. and G. Rubber Proprietary, Limited, Melbourne, Vic. Class 49.

No. 8014.—28th May.—Sargent and Wilson, Christchurch, N.Z. Class 47.

No. 8015.—28th May.—J. Sharrock, Frankton Junction, N.Z. Class 2.

No. 8016.—28th May.—S. Parker, Auckland, N.Z. Class 5.

Nos. 8017 and 8018.—29th May.—"New Way" Motor Company, Lansing, U.S.A. Class 6.

No. 8019.—31st May.—E. A. Clarke, Christchurch, N.Z. Class 3.

Applications for Registration of Trade Marks.

Patent Office,
Wellington, 2nd June, 1909.

APPLICATIONS for registration of the following Trade Marks have been received. Notice of opposition to the registration of any of these applications may be lodged at this office within two months of the date of this Gazette. Such notice must be in duplicate, and accompanied by a fee of £1.

No. of application : 7800.
Date : 19th January, 1909.

TRADE MARK



NAME.

UNITED SHOE MACHINERY COMPANY, of Paterson, in the State of New Jersey, United States of America, a corporation duly organized under the laws of said State of New Jersey, carrying on business as Shoe-machinery Manufacturers, and having a place of business at 205 Lincoln Street, Boston, in the Commonwealth of Massachusetts, in said United States of America.

No. of class : 6.
Description of goods : Boot and shoe machinery, and parts of such machinery, including machine-tools.

No. of application : 7801.
Date : 19th January, 1909.

TRADE MARK.

(The mark as shown in preceding notice, No. 7800.)

NAME.

UNITED SHOE MACHINERY COMPANY, of Paterson, in the State of New Jersey, United States of America, a corporation duly organized under the laws of said State of New Jersey, carrying on business as Shoe-machinery Manufacturers, and having a place of business at 205 Lincoln Street, Boston, in the Commonwealth of Massachusetts, in said United States of America.

No. of class : 12.
Description of goods : Cutlery and edge tools.

No. of application : 7816.
Date : 1st February, 1909.

TRADE MARK.



B

The essential particular of this trade mark is the distinctive label.

NAME.

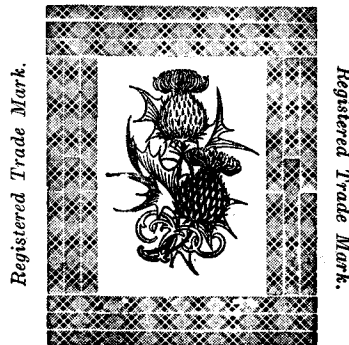
THE CHEMICAL UNION LIMITED, of Ipswich, England.

No. of class : 2.
Description of goods : Sheep-dipping powder.

No. of application : 7967.
Date : 28th April, 1909.

TRADE MARK.

TARTAN TEAS.



The essential particulars of this trade mark are the device of two thistles with tartan border and the word "Tartan"; and any right to the exclusive use of the added matter is disclaimed.

NAME.

GUNN AND Co., of Woodhaugh, Dunedin, in the Dominion of New Zealand, Tea Merchants.

No. of class : 42.
Description of goods : Tea.

No. of application : 7975.
Date : 10th May, 1909.

TRADE MARK.

The word
"SHINO."

NAME.

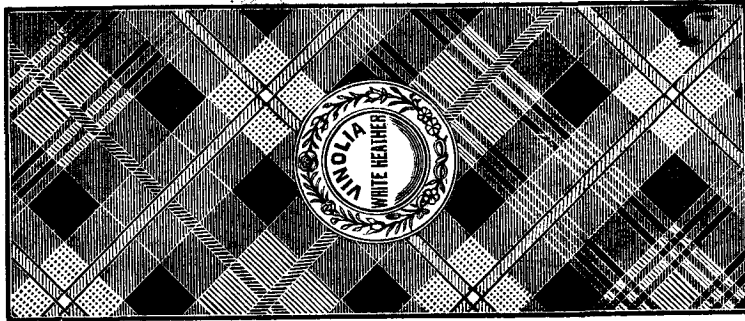
SIMON MACDONALD BOWER, of Kaitaia, in the Dominion of New Zealand.

No. of class : 50.
Description of goods : Metal-polish.

No. of application : 7979.

Date : 12th May, 1909.

TRADE MARK.



NAME.

VINOLIA COMPANY, LIMITED, of 41A Upper Thames Street, London, England, Manufacturers.

No. of class : 48.

Description of goods : Perfumery, including toilet articles, preparations for the teeth and hair, and perfumed soap.

No. of application : 7983

Date : 15th May, 1909.

TRADE MARK.

The words

“WAINONI PARK.”

The essential particular of this trade mark is the word “Wainoni”; and any right to the exclusive use of the word “Park” is disclaimed.

NAME.

Professor ALEXANDER WILLIAM BICKERTON, of Wainoni Park, Christchurch, in the Dominion of New Zealand, Fireworks Manufactory.

No. of class : 20.

Description of goods : Fireworks.

No. of application : 7984.

Date : 17th May, 1909.

TRADE MARK.

The word

“WYNGEEL.”

NAME.

CONTINENTAL C. AND G. RUBBER COMPANY PROPRIETARY, LIMITED, of 185-187 Collins Street, Melbourne, in the State of Victoria, Commonwealth of Australia, Manufacturers.

No. of class : 40.

Description of goods : Rubber tires of all kinds, air-tubes for pneumatic tires, covers of pneumatic tires for velocipedes, motor-cars, and road-vehicles.

No. of application : 7986.

Date : 17th May, 1909.

TRADE MARK.

The word

“BAKABUTTA.”

NAME.

ROBERT HALL, trading as the “Imperial Manufacturing Company,” of Old Customhouse Street, Wellington, in the Dominion of New Zealand, Manufacturer.

No. of class : 42.

Description of goods : Margarine and foodstuffs manufactured from oils, fats, and waxes, either animal or vegetable.

No. of application : 7988.

Date : 19th May, 1909.

TRADE MARK.

The word

“CANAL.”

NAME.

AITCHISON, STEANS, AND Co., of 115 Lichfield Street, Christchurch, in the Dominion of New Zealand, Merchants.

No. of class : 48.

Description of goods : Perfumery, &c.

No. of application: 7989.
Date: 20th May, 1909.

TRADE MARK.
The word
"GELATOZE."

NAME.
WILLIAM TAILBY, of 62 Wellesley Street, Auckland, in the Dominion of New Zealand, Manufacturer of Printers' Roller-composition.

No. of class: 39.
Description of goods: Printers' roller-composition and copying-pads.

No. of application: 7990.
Date: 20th May, 1909.

TRADE MARK.
The word
"FEROL."

NAME.
WILLIAM HERBERT METCALFE, of No. 44 Mill Street, Pyrmont, near Sydney, in the State of New South Wales, Commonwealth of Australia, Paint-manufacturer.

No. of class: 1.
Description of goods: Preservative coating, varnishing, compounds or mixtures, and varnishes, oils, paints, and anti-corrosives.

No. of application: 7992.
Date: 20th May, 1909.

TRADE MARK.
The words
"NEW CLUB."

NAME.
THE UNION METALLIC CARTRIDGE COMPANY, of Bridgeport, State of Connecticut, United States of America, Cartridge-manufacturers.

No. of class: 20.
Description of goods: Loaded shot cartridges.

No. of application: 8003.
Date: 25th May, 1909.

TRADE MARK.
The word
"SINGALEE."

NAME.
ELLIS AND MANTON, of Stout Street, Wellington, in the Dominion of New Zealand, Merchants.

No. of class: 42.
Description of goods: Tea.

No. of application: 8004.
Date: 25th May, 1909.

TRADE MARK.
The words
"GOLDEN RAY."

NAME.
ELLIS AND MANTON, of Stout Street, Wellington, in the Dominion of New Zealand, Merchants.

No. of class: 42.
Description of goods: Tea.

No. of application: 8005.
Date: 25th May, 1909.

TRADE MARK.
The word
"BESTOVALL."

NAME.
ELLIS AND MANTON, of Stout Street, Wellington, in the Dominion of New Zealand, Merchants.

No. of class: 42.
Description of goods: Tea.

No. of application: 8008.
Date: 25th May, 1909.

TRADE MARK.
The word
"CHALLENGER."

NAME.
CYCLE AND MOTOR SUPPLIES, LIMITED, of Farish Street, Wellington, in the Dominion of New Zealand.

No. of class: 40.
Description of goods: Pneumatic cycle and motor tires.

No. of application: 8009.
Date: 26th May, 1909.

TRADE MARK.
The word
"VICTOR."

NAME.
JOHN CHRISTOPHER HOLLAND, trading as "J. L. Holland and Sons," of 39 and 41 Victoria Street, Auckland, in the Dominion of New Zealand, Photographic Merchants.

No. of class: 8.
Description of goods: Cameras (photographic).

No. of application: 8011.

Date: 27th May, 1909.

TRADE MARK.



NAME.

UNION CARBIDE COMPANY, Manufacturers of Calcium Carbide, a corporation organized under the laws of the State of Virginia, United States of America, and having a place of business at 79 Wall Street, New York City, in said United States of America.

No. of class: 1.

Description of goods: Calcium carbide.

No. of application: 8013.

Date: 27th May, 1909.

TRADE MARK.

The word

"CONREX."

NAME.

CONTINENTAL C. AND G. RUBBER COMPANY PROPRIETARY, LIMITED, of 185-187 Collins Street, Melbourne, in the State of Victoria, Commonwealth of Australia, Manufacturers.

No. of class: 49.

Description of goods: Tennis-balls.

No. of application: 8016.

Date: 28th May, 1909.

TRADE MARK.



The essential particulars of this trade mark are the device showing four stars enclosing the words "Southern Cross," and the words "Southern Cross"; and any right to the exclusive use of the added matter is disclaimed.

The applicant claims that the said trade mark was in use by him prior to the 1st January, 1890.

NAME.

SAMUEL PARKER, of Wellesley Street West, in the City of Auckland, in the Dominion of New Zealand, Galvanised-iron Manufacturer.

No. of class: 5.

Description of goods: Plain galvanised sheet iron, and galvanised corrugated sheet iron.

J. C. LEWIS,
Registrar.

Trade Marks registered.

LIST of Trade Marks registered from the 18th to the 31st May, 1909, inclusive:—

No. 6171/7322.—British Leather Cloth Manufacturing Company, Limited. Class 36. (*Gazette* No. 100, of the 10th December, 1908.)

No. 6172/7545.—The Muralo Company. Class 1. (*Gazette* No. 72, of the 17th September, 1908.)

No. 6173/7326.—New Zealand Brick, Tile, and Pottery Company, Limited. Class 16. (*Gazette* No. 43, of the 28th May, 1908.)

No. 6174/7378.—W. and G. Turnbull and Co. Class 42. (*Gazette* No. 64, of the 20th August, 1908.)

No. 6175/7356.—Bryant and May, Limited. Class 47. (*Gazette* No. 85, of the 29th October, 1908.)

No. 6176/7850.—Gollin and Co. Proprietary, Limited. Class 42. (*Gazette* No. 21, of the 11th March, 1909.)

No. 6177/7841.—Celrox, Limited. Class 3. (*Gazette* No. 21, of the 11th March, 1909.)

No. 6178/7847.—J. E. Garratt. Class 11. (*Gazette* No. 21, of the 11th March, 1909.)

No. 6179/7854.—G. H. Baker. Class 39. (*Gazette* No. 21, of the 11th March, 1909.)

No. 6180/7325.—J. A. Roche. Class 50. (*Gazette* No. 46, of the 11th June, 1908.)

No. 6181/7646.—Bergedorfer Eisenwerk Aktiengesellschaft. Class 7. (*Gazette* No. 91, of the 12th November, 1908.)

No. 6182/7276.—Glyn-Jones and Pearson. Class 48. (*Gazette* No. 35, of the 30th April, 1908.)

No. 6183/7855.—A. Tyree and Co., Limited. Class 38. (*Gazette* No. 21, of the 11th March, 1909.)

No. 6184/7851.—Mason, Struthers, and Co., Limited. Class 27. (*Gazette* No. 21, of the 11th March, 1909.)

Trade Mark Renewal Fees paid.

FEES paid for the renewal of the undermentioned Trade Marks for fourteen years from the date first mentioned:—

No. 1431/1142.—20th May, 1909.—W. Meyerstein and Co., London, Eng. Class 5. 18th May, 1909.

No. 1438/1152.—3rd June, 1909.—Nimmo and Blair, Dunedin, N.Z. Class 2. 29th May, 1909.

No. 1478/1209.—1st August, 1909.—Webster Bros. and Co., Abouath, Scotland, and Melbourne, Victoria. Class 50. 19th May, 1909.

No. 1483/1374.—9th August, 1909.—C. Moors, Dunedin, N.Z. Class 37. 25th May, 1909.

No. 1488/1184.—19th August, 1909.—W. Strange and Co., Christchurch, N.Z. Class 38. 21st May, 1909.

No. 1490/1192.—21st August, 1909.—The British Empire Trading Company, Limited, of Wellington, N.Z. Class 45. 25th May, 1909.

Trade Marks removed from the Register.

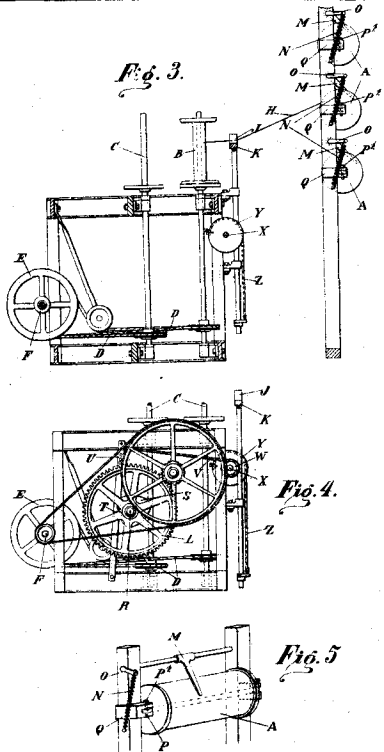
TRADE Marks removed from the Register owing to the non-payment of the renewal fee, from the 18th to the 31st May, 1909, inclusive:—

Nos. 1393/1106 and 1394/1107.—21st February, 1895.—The Bodega Company, Limited, of London, England, Wine and Spirit Merchants. Classes 44 and 45.

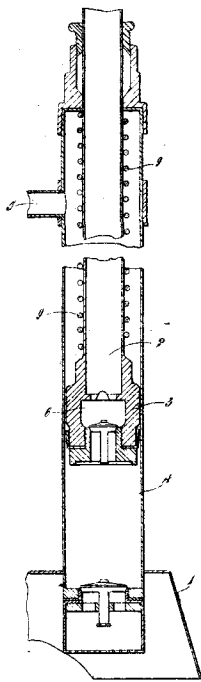
Nos. 1397/1087 and 1398/1088.—28th February, 1895.—The Chemical Union, Limited, of Ipswich, England. Class 2.

ILLUSTRATIONS OF INVENTIONS.

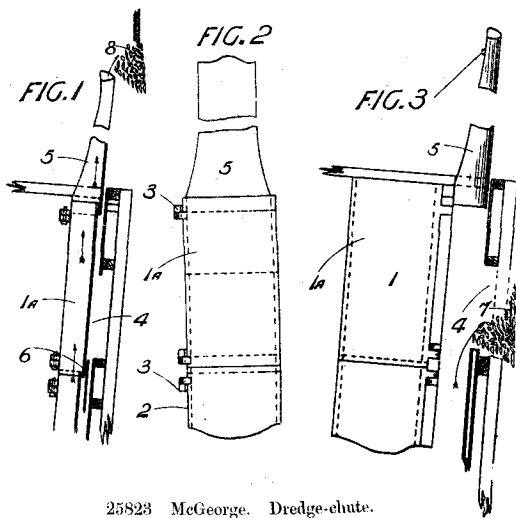
[These illustrations refer to the complete specifications accepted, and advertised in this *Gazette*.]



25781 Donaghy and Sons Proprietary (Limited). Twine-lump Remover. (Jose.)



24541 Whitehead. Pump.



25828 McGeorge. Dredge-chute.

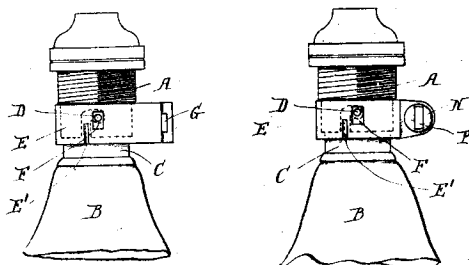


FIG. 2

FIG. 5

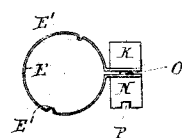
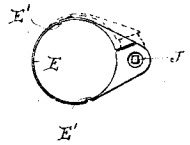
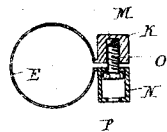
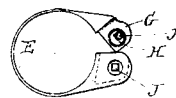
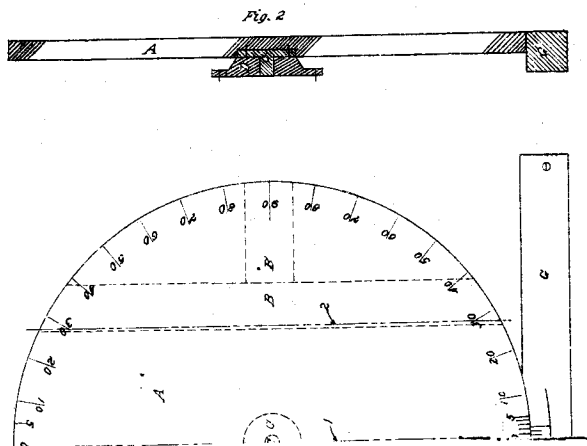


FIG. 3

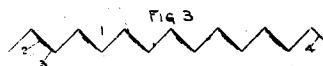
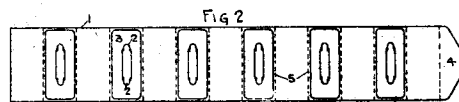
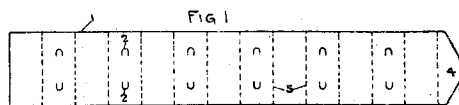
FIG. 6



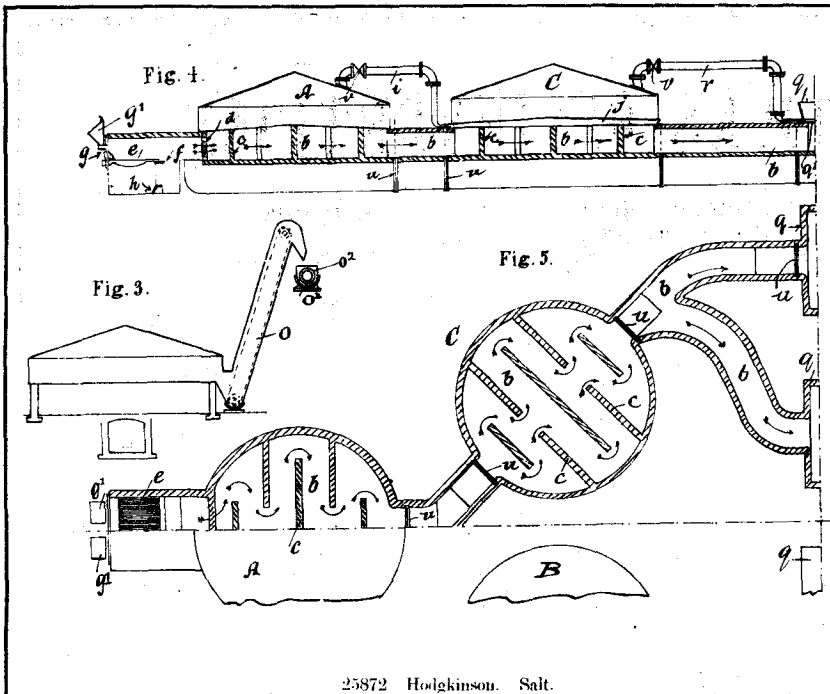
25833 Roy and Weber. Lamp-holder.



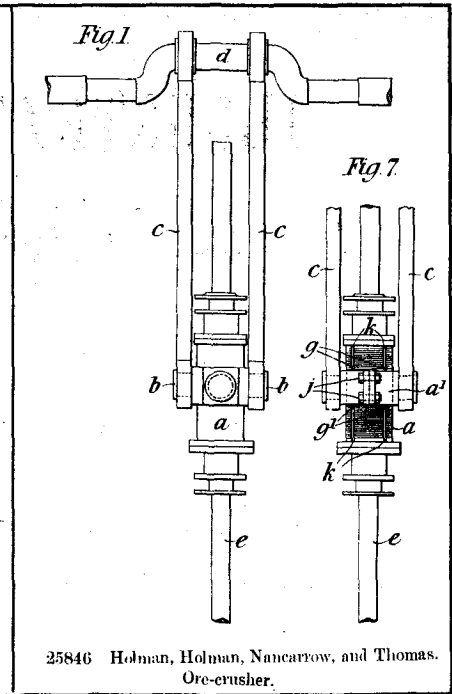
25795 Burdett-Stuart. Drawing-board.



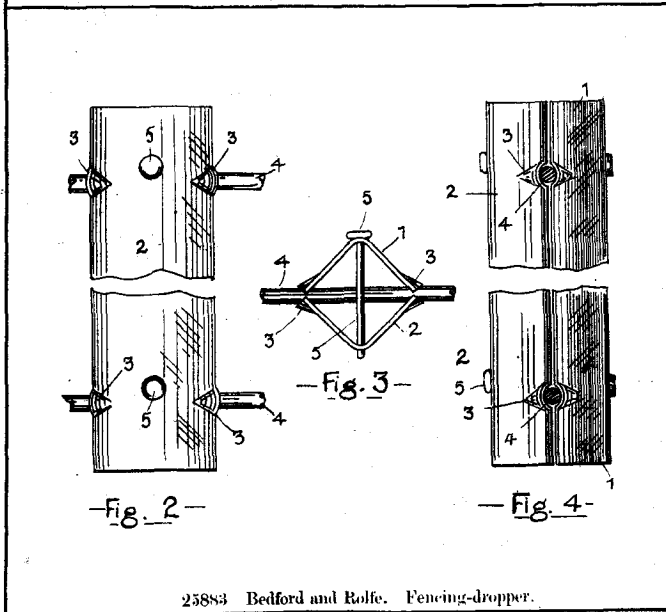
25875 Walcott. Razor-blade Package.



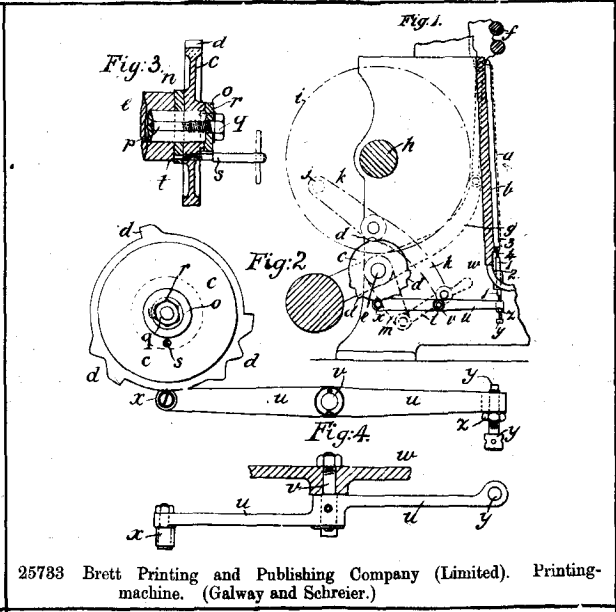
25872 Hodgkinson. Salt.



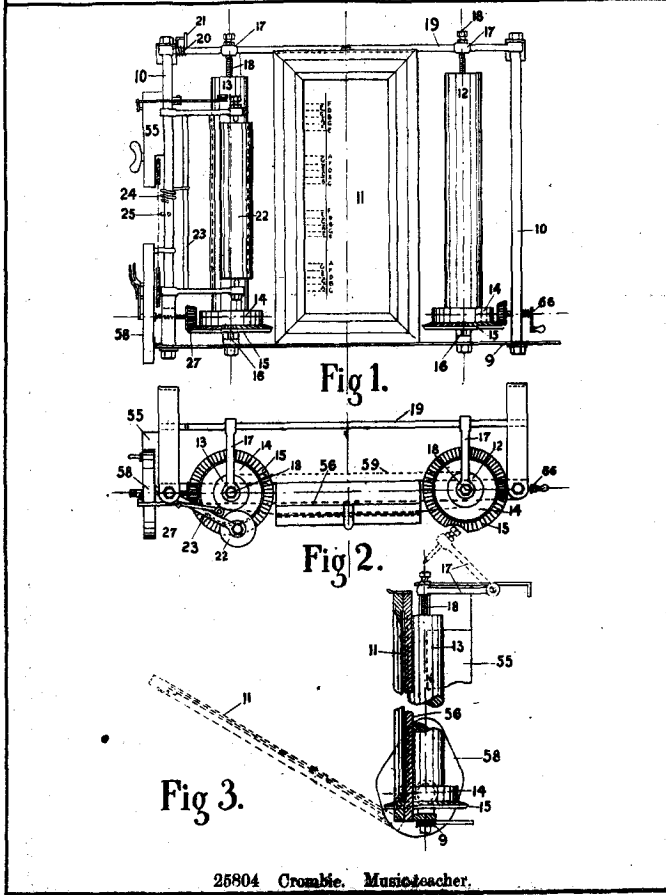
25846 Holman, Holman, Nancarrow, and Thomas. Ore-crusher.



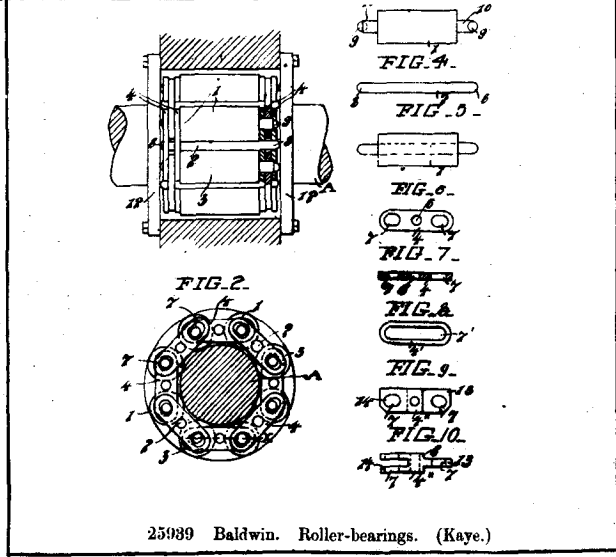
25883 Bedford and Rolfe. Fencing-dropper.



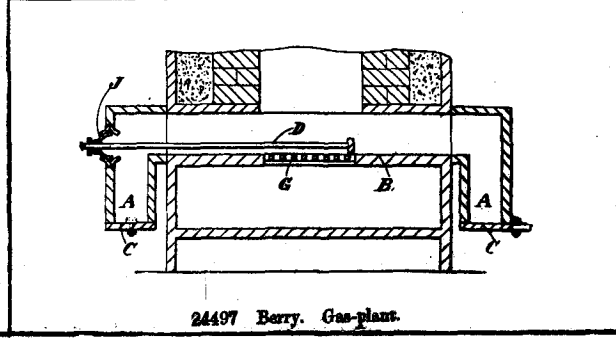
25783 Brett Printing and Publishing Company (Limited). Printing-machine. (Galway and Schreier.)



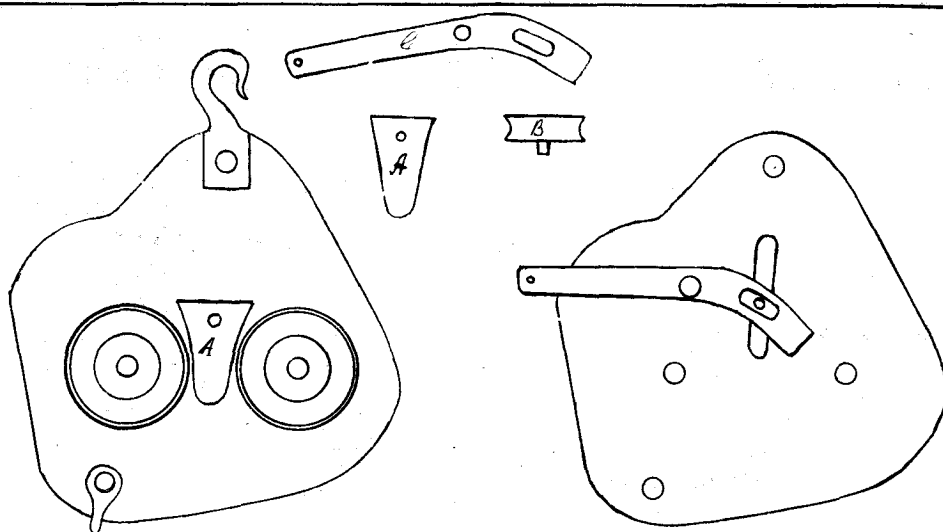
26804 Crombie. Music-teacher.



25989 Baldwin. Roller-bearings. (Kaye.)



24497 Barry. Gas-plant.



25848 Turner and Turner. Stop-pulley.

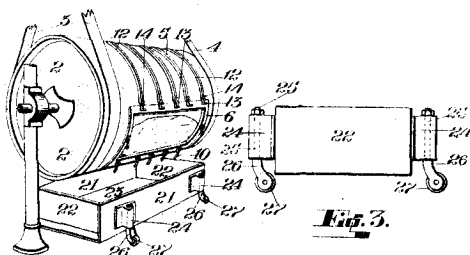
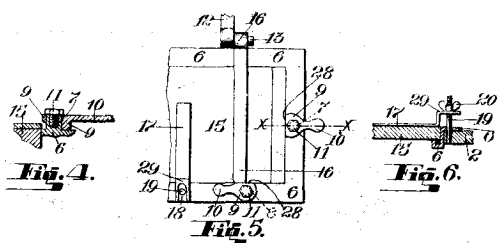


Fig. 2.



24720 Pedersen. Churn.

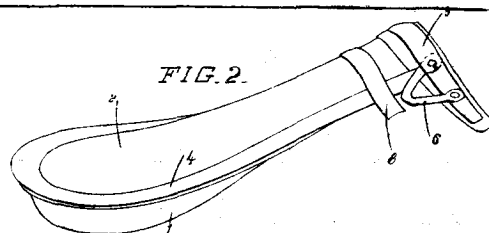


FIG. 2.

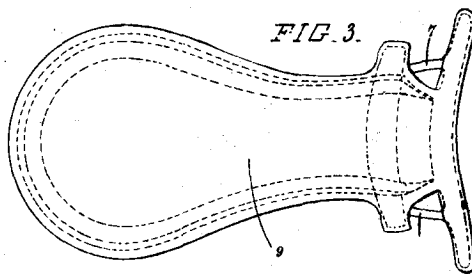
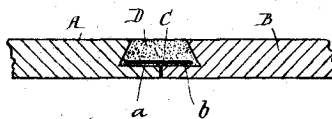
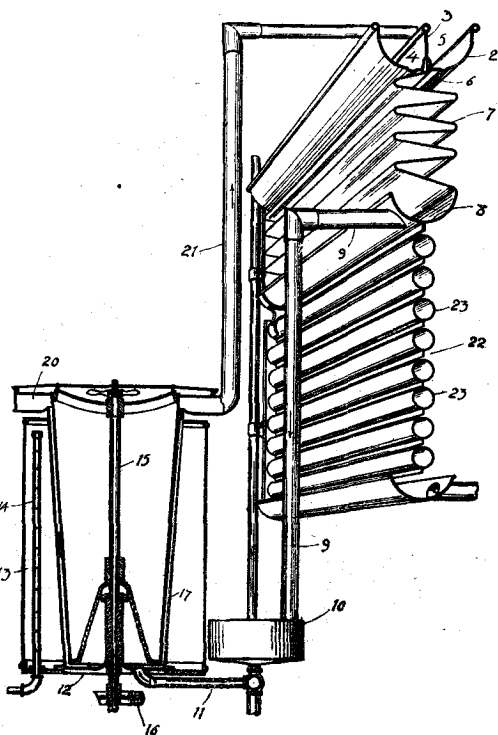


FIG. 3.

25559 Downing. Saddle-tree.



25855 Lewis. Joining Plaster Slab.



25561 Jensen. Pasteuriser.

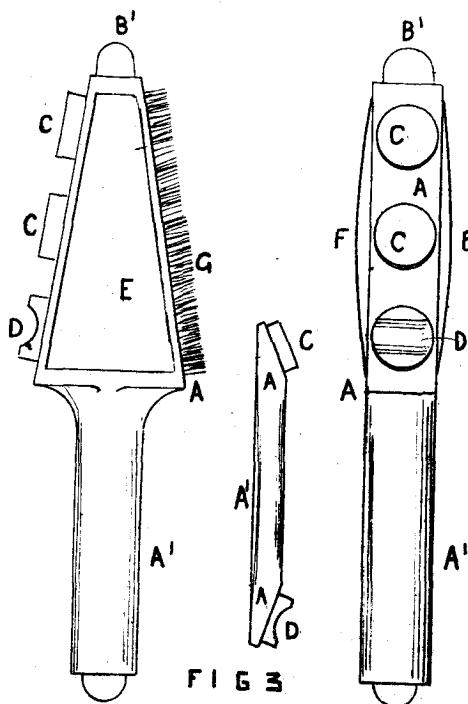
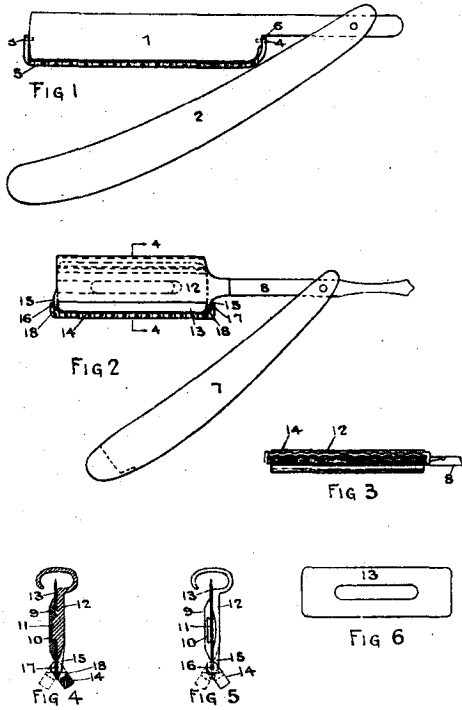
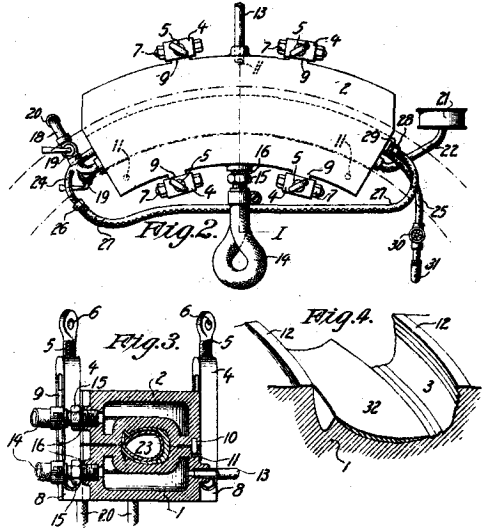


FIG. 3.

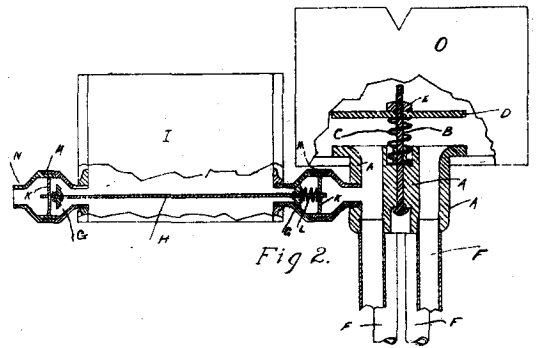
25619 Edmond. Cleaner.



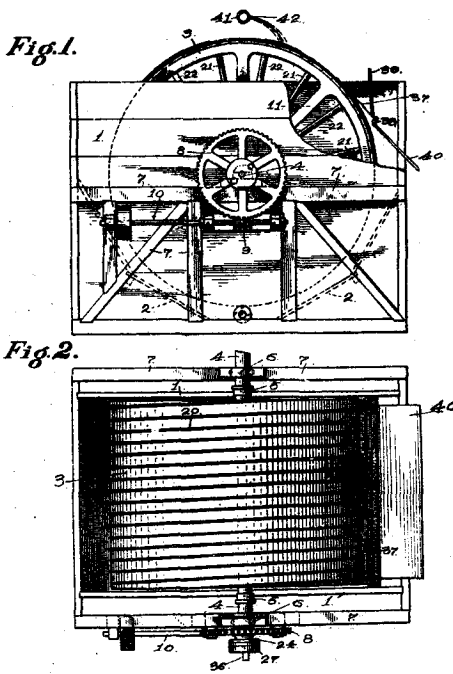
25873 Durham. Razor.



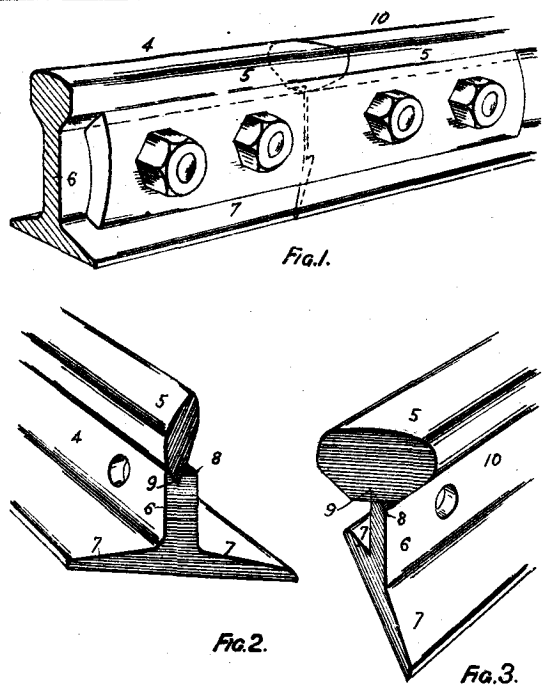
25856 Clark. Tire-tread.



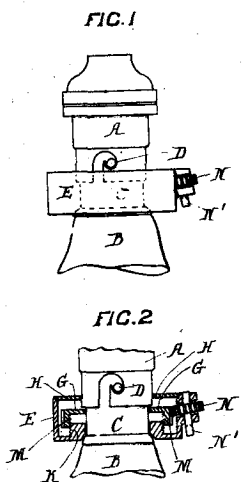
25840 Grace and Gillman. Vacuum-pump.



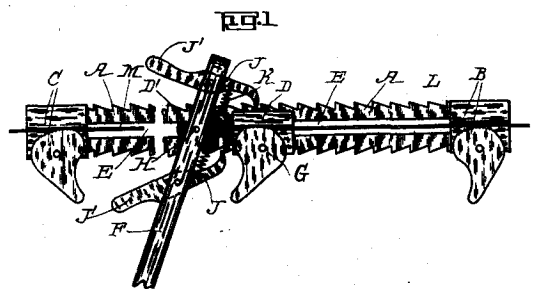
25886 Oliver. Filter.



25854 Cowder. Rail-joint.



25882 Roy and Weber. Lamp-holder.



25320 Lewis. Wire-strainer.